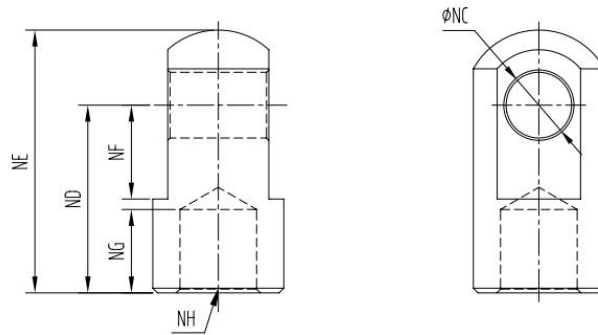


I joint



Material: Galvanised steel



NC	ND	NE	NF	NG	NM	NH	Type
3	12	15.5	5	5	3	M3×0.5	I-M3×050
4	16	21	6.8	8	4	M4×0.7	I-N4×070
5	25	32	14.1	7.5	6.3	M5×0.8	I-M5×080
6	21	28	8.5	8	6	M6×1.0	I-M6×100
8	30	40	11	15	8	M8×1.25	I-M8×125
10	40	50	15	20	10	M10×1.25	I-M10×125
12	48	62	24	20	12	M12×1.25	I-M12×125
16	64	82	32	23	16	M16×1.5	I-M16×150
20	80	102	40	30	20	M20×1.5	I-M20×150
30	110	139	51	45	30	M27×2.0	I-M27×200
35	144	181	65	55	35	M36×2.0	I-M36×200
40	168	211	85	62	40	M42×2.0	I-M42×200